

APPLICATIONS

500H Series pressure gauges are designed with metal to metal sealing for heavy duty industries.

Available ranges are: 10,000 psi, 15,000 psi, 20,000 psi, 30,000 psi, 40,000 psi, 50,000 psi and 60,000 psi.

These pressure gauges can also be used for working media or environment which contains chemically aggressive substances.

The liquid filled option is suitable for vibrating applications and provide an extended life. These pressure gauges need to be installed with the help of collar and gland.



SPECIFICATIONS

Design: According to ANSI B40.1 US pressure gauge standard.

Dial Size: 4".

Case: 304 stainless steel case, DIN bayonet ring, TIG welded with connection.

Window: Laminated safety glass.

Movement: Stainless steel.

Bourdon tube: 316L coiled shape tube.

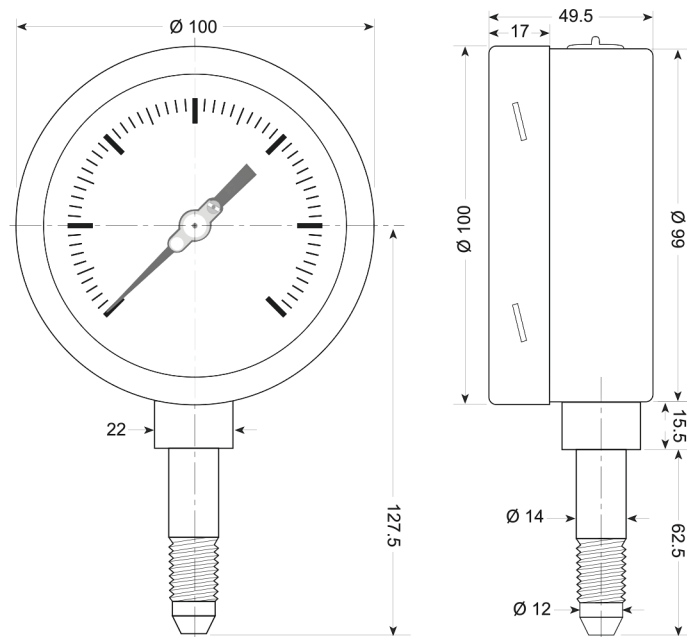
Connection: 316 stainless steel, lower mount, 9/16" UNF-18 high pressure male, with tapered shape end for metal to metal sealing.

Dial plate: Aluminum, white background, black marking.

Pointer: Micro-adjustable black aluminum.

Accuracy: 1%

Pressure ranges: 0 - 10,000 psi, 15,000 psi, 20,000 psi, 30,000 psi, 40,000 psi, 50,000 psi and 60,000 psi.



*** SPECIAL REQUEST**

Please contact factory for special dial artwork and ranges.